



Turbina en Acero Inoxidable
Stainless Steel Impeller

■ **Aplicaciones:**

Bombas sumergibles idóneas para el drenaje de aguas turbias y arenosas que contengan sólidos de máximo 8 mm. de diámetro.

■ **Características constructivas:**

Cuerpo bomba, turbina, rejilla, base de aspiración, asa, eje y carcasa de motor en acero inoxidable AISI-304. Doble sello mecánico y cámara intermedia de aceite atóxico. Equipada con 10 metros de cable HO7-RNF.

■ **Motor:**

A 2.850 r.p.m., asíncrono estanco con aislamiento clase F=155° C. y grado de protección IP-68, la refrigeración del motor se efectúa por el líquido en el cual está sumergida. Inmersión máxima 10 metros.

■ **Applications:**

Submersible electro pump ideal for drainage and dirty-sandy waters, containing solids no larger than 8 mm. of diameter.

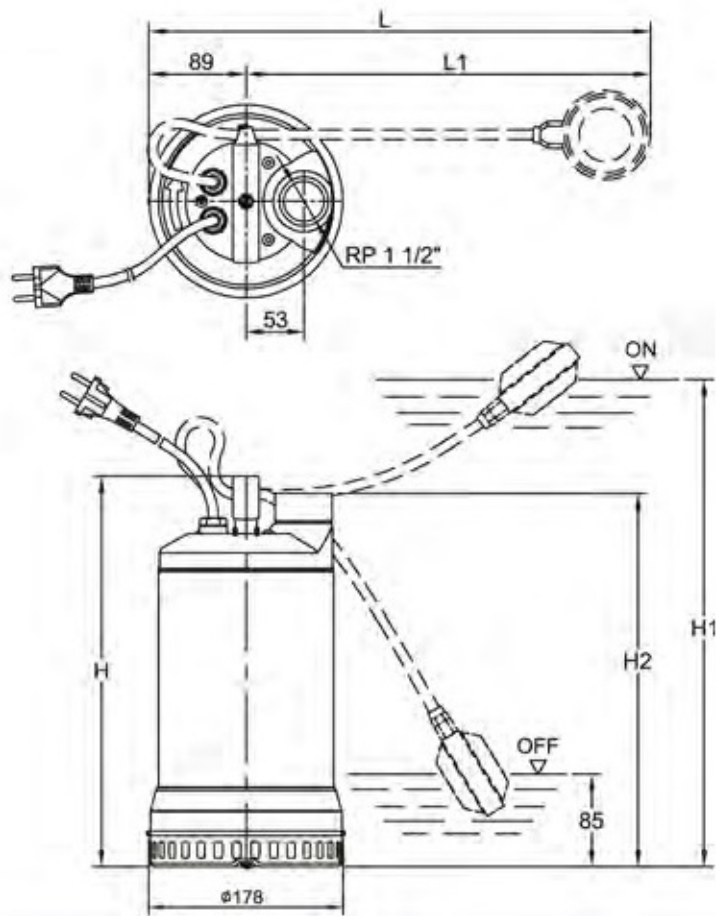
■ **Construction:**

Pump body, impeller, filter, base, handle, shaft and casing in stainless steel AISI 304. Double mechanical seal with intermediate oil chamber. Supplied with 10 meters of HO7-RNF cable.

■ **Motor:**

At 2,850 r.p.m., asynchronous closed with isolation type F (155 ° C) IP-68 protection. Refrigeration of the motor through the liquid surrounding. Maximum immersion 10 meters.

| Tipo Type | Potencia | | "A" | | Altura m.c.a. / Height w.c.m. | | | | | | | | | | | | | | Paso sólidos Free Pass mm. | Ø IMP. Outlet | |
|--------------|----------|------|-----------|------------|-------------------------------|----|----|------|------|----|-----|------|-----|----|----|----|-----|---|-------------------------------------|---------------------|-------|
| | | | | | 4 | 5 | 6 | 7 | 8 | 9 | 10 | 11 | 12 | 14 | 16 | 18 | 20 | | | | |
| | HP | KW | II 230 | III 400 | Caudal m³/h / Flow m³/h | | | | | | | | | | | | | | | | |
| DRX 7 M Aut | 0,75 | 0,55 | 4,2 | - | 15 | 13 | 11 | 9 | 7,5 | 5 | 2,5 | | | | | | | | 8 | 11/2" | |
| DRX 10 M Aut | 1 | 0,75 | 5,1 | - | 20 | 18 | 16 | 14,5 | 12 | 10 | 8,5 | 7 | 4 | | | | | | 8 | 11/2" | |
| DRX 10T | | | - | 1,9 | | | | | | | | | | | | | | | | | |
| DRX 15 M Aut | 1,5 | 1,1 | 8,3 | - | 23 | 21 | 19 | 17 | 15 | 13 | 12 | 10,5 | 8,5 | 5 | | | | | | 8 | 11/2" |
| DRX 15T | | | - | 2,8 | | | | | | | | | | | | | | | | | |
| DRX 20T | 2 | 1,5 | - | 3,6 | | | | 24 | 22,5 | 21 | 20 | 18 | 16 | 15 | 12 | 8 | 4,5 | 1 | 8 | 11/2" | |



SINGLE-PHASE

| Model | Dimension (mm) | | | | | |
|------------------------|----------------|-----|-----|-----|-----|---------|
| | H | H1 | H2 | L | L1 | N.W. kg |
| DRX 7 M Aut | 357 | 437 | 341 | 459 | 370 | 12 |
| DRX 10 M/T | 407 | 497 | 391 | 514 | 425 | 15 |
| DRX 15 M/T DRX 20 T | 407 | 497 | 391 | 514 | 425 | 17 |

THREE-PHASE

| Model | Dimension (mm) | | |
|-------------|----------------|-----|---------|
| | H | H2 | N.W. kg |
| DRX 7 M Aut | 357 | 341 | 12 |
| DRX 10 M/T | 357 | 341 | 12 |
| DRX 15 M/T | 407 | 391 | 15 |
| DRX 20 T | 407 | 391 | 17 |